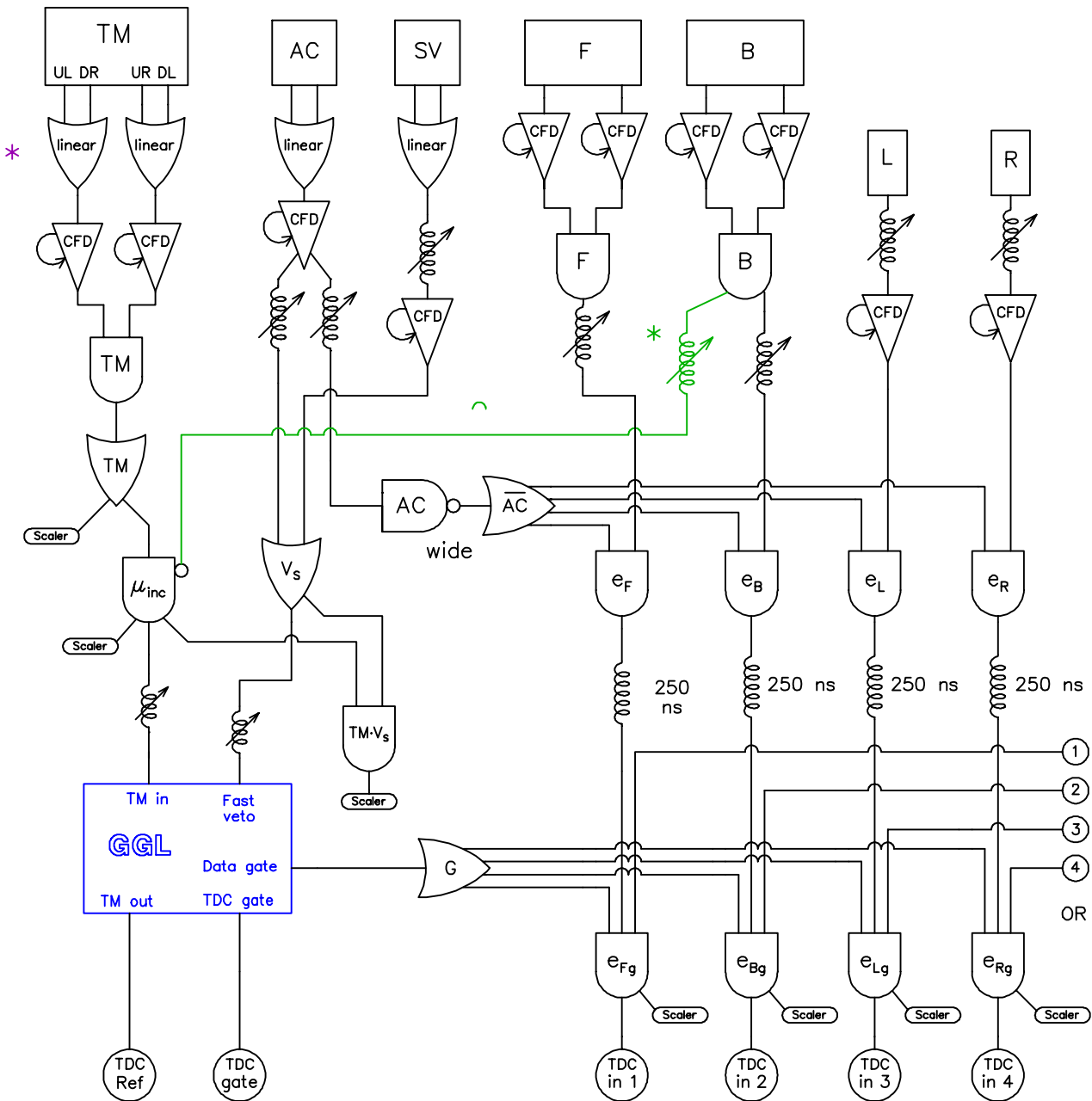


DR electronics



*) See HiTime for best TM discrimination.

SV might use coincidence (for after-pulses)

Order of timing adjustment:

- 1) Fine adjustment of multiple PMT signals on each single counter.
- 2) AC to match TM at $TM \cdot V_s$
- 3) SV to match TM at $TM \cdot V_s$
- 4) μ_{inc} or V_s so V_s vetos events at GGL (3–5 ns before μ_{inc})
- 5) F, B, L, R to match \overline{AC} at e_F etc.

* 6) Dangerous option: B to match TM at μ_{inc} (step prevention)